

Fireriser® Automatic Air Vent Valve

200PSI Threaded Ends

Fig No.:9702

Working pressure:

200PSI

Temperature: from -10°C to 120°C

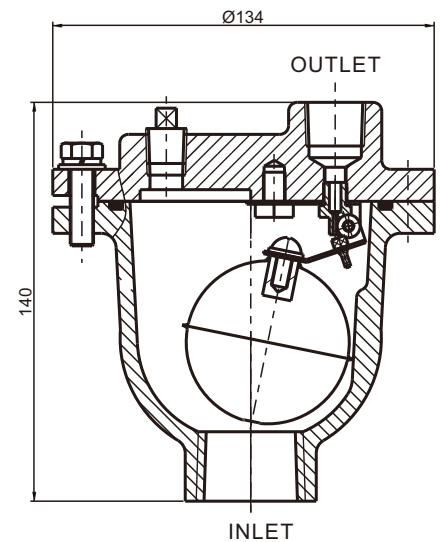
Connection Ends:

NPT/BSPT



Materials List

Part Name	Material	ASTM Spec.
Body	Ducite Iron	A536 65-45-12
Cover	Ducite Iron	A536 65-45-12
Level	Stainless Steel	AISI 304
Seat Ring	Stainless Steel	AISI 304
Float	Stainless Steel	AISI 304
Float Arm	Stainless Steel	AISI 304
Orifice Button	Viton	Commercial



Dimensions(inch/mm):

Size	Female Threaded
1/2"	1/2" BSP or NPT
3/4"	3/4" BSP or NPT
1"	1" BSP or NPT